



# TOTO : Washlet

BROCHURE

# Let's Wash with **TOTO** : **WASHLET**

SCAN QR CODE  
TO PLAY VIDEO





# TOTO

WELCOME

## TOTO CLEANOVATION

Clean gives peace of mind  
Clean makes life beautiful  
Clean feels refreshing  
Clean is caring for people and the planet  
Clean brings wellness to everyday life

TOTO Innovation brings a new world of clean to life,  
enriching every moment of every day.

TOTO

# VISIT TOTO'S FIRST-EVER VIRTUAL SHOWROOM



[VIRTUALSHOWROOM.TOTOUSA.COM](https://VIRTUALSHOWROOM.TOTOUSA.COM)



# TO



## NX SUITE

TOTO CLEAN WATERS  
CLEAN SYNERGY

# TOUR OUR VIRTUAL SHOWROOM

TOTO's experiential virtual showroom is filled with rich informational videos, dynamic booth sections, and 360-degree product demonstrations.







# ICON GUIDE

## TOILET



DYNAMAX TORNADO FLUSH<sup>®</sup>

Uses 100% of water to clean and rinse the bowl using a smaller amount of water more efficiently with a 2.5" trapway and quieter flush. Available in 1.0/.9 GPF or 1.28/.8 GPF.



3D TORNADO FLUSH<sup>®</sup>

Three powerful nozzles create a powerful centrifugal rinsing action and combines it with the conservation of 0.9 or 1.28 GPF.



CEFIONTECT<sup>®</sup>

An ultra-smooth ceramic glaze that leaves nowhere for waste to cling.



UNIVERSAL HEIGHT

Toilet height that allows for a more comfortable height position across a wide range of users.



SKIRTED DESIGN

The trapway is concealed by smooth porcelain, making the toilet easier to clean.

## WASHLET



TOTO  
WASHLET

High-tech electronic bidet seat featuring adjustable warm water cleansing, heated seat, dryer, deodorizer and much more.



AIR-IN WONDER WAVE<sup>®</sup>

Air rich water droplets to produce a more comfortable washing sensation and deliver more thorough cleansing with less water consumption.

## WASHLET<sup>®</sup> +

WASHLET and toilet set with a concealed connection that is specially designed for a seamless installation.



EWATER+<sup>®</sup>

After each flush, EWATER+<sup>®</sup> mists the wand and toilet bowl, reducing the need for harsh cleaning chemicals.



PREMIST<sup>®</sup>

PREMIST wets the surface of the toilet bowl, aiding in the removal of waste and resulting in a better clean.



AUTO OPEN/CLOSE LID

Eliminating the need to touch the toilet surfaces, the lid automatically opens and closes when the toilet is approached and departed.



DEODORIZER

Highly effective deodorizing automatically takes places inside the toilet bowl both during and immediately after use, leaving no disturbing odors.



HEATED SEAT

The moment you approach the toilet, the seat begins rapidly warming to a comfortable temperature.



WARM AIR DRYING

Enjoy the ease and comfort of drying with the temperature-adjustable warm-air dryer.



## GENERAL FEATURES



ADA

Product complies with Americans with Disabilities Act guidelines.



WATERSENSE

Product that meets EPA standards for water efficiency and performance criteria.



CEC

Product meets California Energy Commission requirements.

## CALGreen

Product meets CalGreen Water Regulations for new construction and permitted remodel.

## DESIGN AWARDS



REDDOT

An internationally renowned design award since 1955. Held at Design Zentrum Nordrhein Westfalen in Essen, Germany. Products that have been strictly examined and recognized by design experts against standards of innovativeness, functionality, quality, and so forth.



GOOD DESIGN

Hosted by the Chicago Athenaeum Museum of Architecture and Design and the European Centre for Architecture Art Design and Urban Studies in Ireland. A global environmental award that began in 2009 with the aim of reforming awareness through sustainable design.

TOTO.  
WASHLET

---

60

MILLION

---

UNITS SOLD  
WORLDWIDE

Note 1: EUROMONITOR INTERNATIONAL. Headquartered in London. Global leader in market surveys with experts in 100 countries.

Note 2: WASHLET is the world's No. 1 brand of electric toilet seats with bidet functions in 2019

Footnote: Source: Euromonitor International Limited; in terms of sales volume, based on the custom research conducted in August 2020 - October 2020 in the countries that account for more than 74.8 % share of the global electric toilet seats with bidet functions in 2020.



# No. 1.

WORLDWIDE BEST SELLER

## WHAT'S THE BENEFIT?

Hygienic washing with WASHLET does what wiping with toilet paper can't. WASHLET leaves you feeling clean and comfortable.

## DID YOU KNOW?

An average person spends about 92 days of their life on a toilet. Why not spend it in comfort?

## IS THE WAND CLEAN?

The wand is set at a 43° angle, and it washes itself inside and out with EWATER+® to maintain optimal cleanliness.



REAR SPRAY

REAR SOFT SPRAY

FRONT SPRAY

WIDE FRONT SPRAY

# TOTO : washlet

## CLEANSING FUNCTIONS



▶ SCAN CODE  
PLAY VIDEO



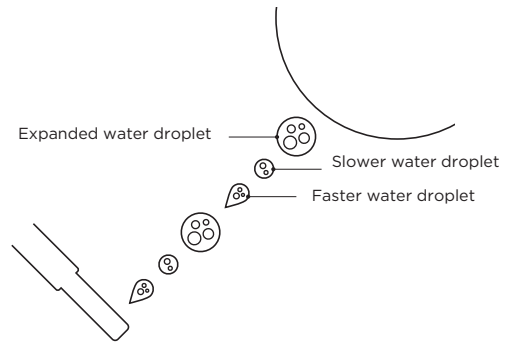
## CLEANSING FUNCTIONS

WITH THE TOUCH OF A BUTTON, A WAND EXTENDS FROM UNDER THE SEAT FOR SOOTHING WARM-WATER CLEANSING.

### How WASHLET® works



**AIR-IN WONDER-WAVE®** technology is the precise, pleasant, air-rich stream that keeps you clean. As water is fired at different speeds, small droplets collide with larger ones, combining and expanding as the droplets fill with more air. The injection of air enlarges water droplets by approximately 30%.



### Select the type of cleansing you desire each time.



#### REAR SPRAY

The rear spray is designed to clean the rear intimate area. It features pleasant, yet strong water pressure to target this specific area.



#### REAR SOFT SPRAY

The rear soft spray has a larger radius to cover more area. Lower water pressure makes for a soft, comfortable spray.



#### FRONT SPRAY

The front spray consists of large, soft drops for comfortable intimate cleansing – for a clean, fresh feeling.



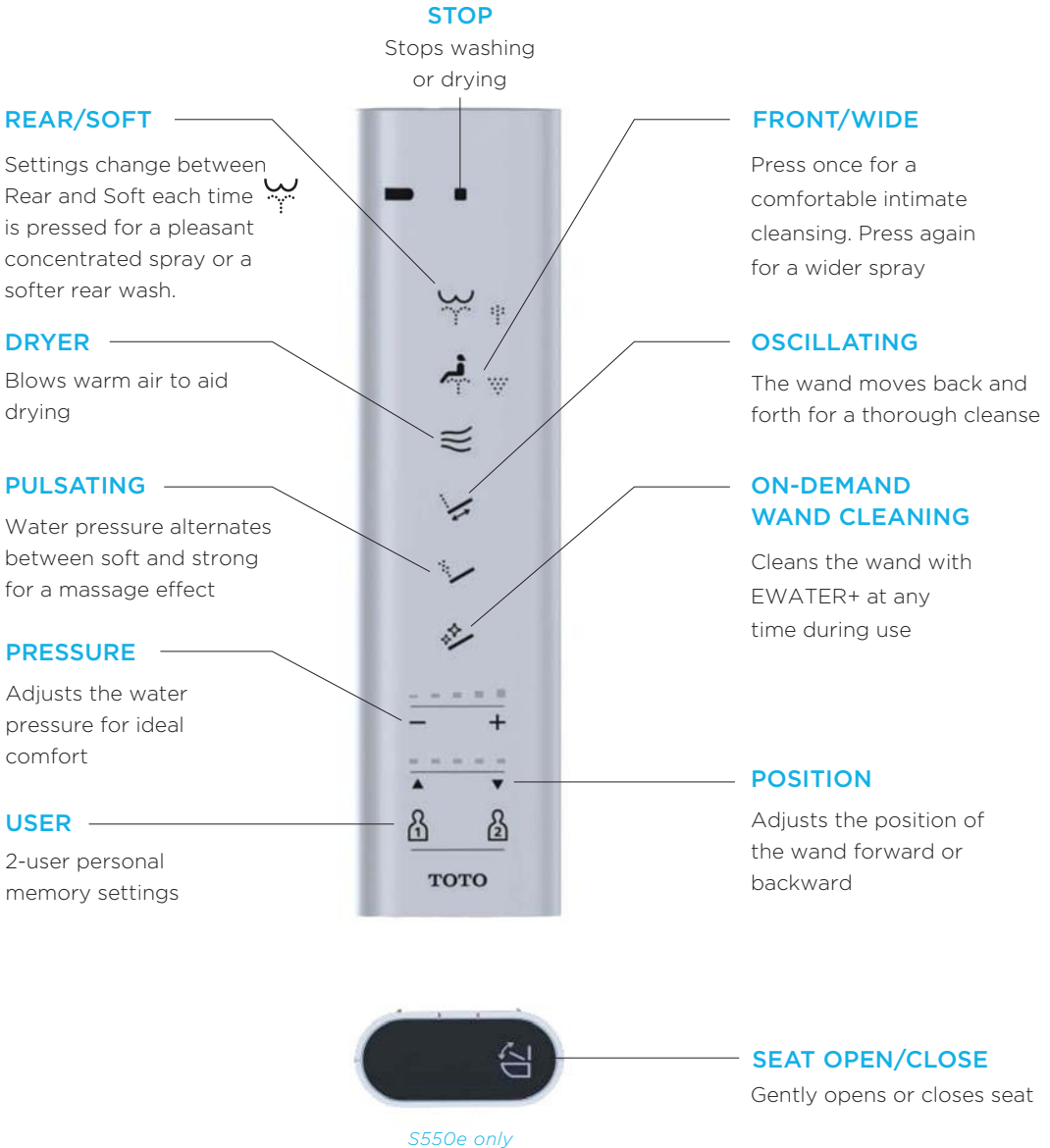
#### WIDE FRONT SPRAY

The wide soft spray has a larger radius to cover more area. Lower water pressure makes for a soft, comfortable spray.

## HOW THE REMOTE CONTROL WORKS

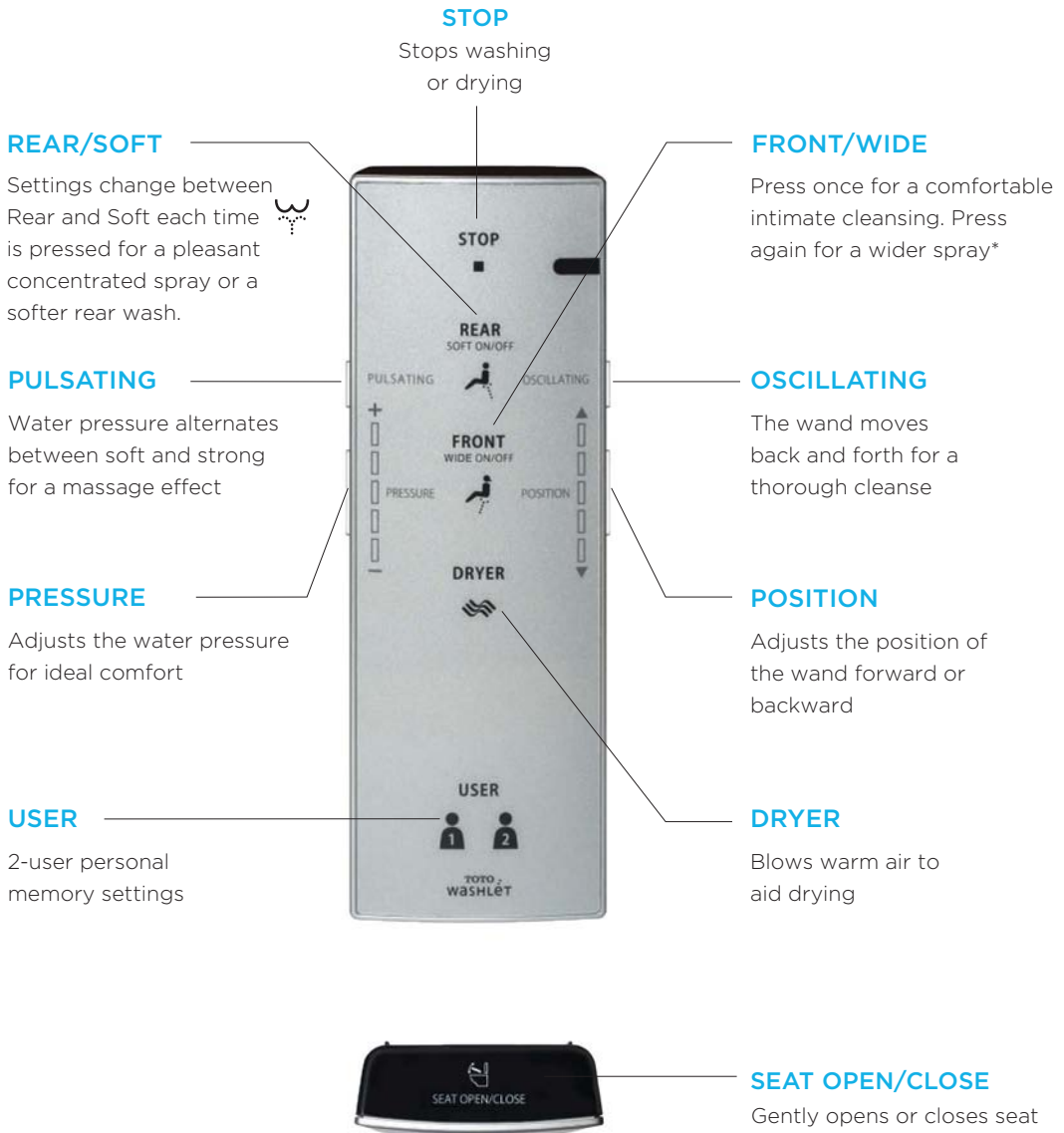
Easy and Convenient to Use.

### WASHLET® S550e & S500e models



Interface of the remote control is subject to change.  
Bracket available for wall-mounting.

## WASHLET® S350e, S300e & C200 models



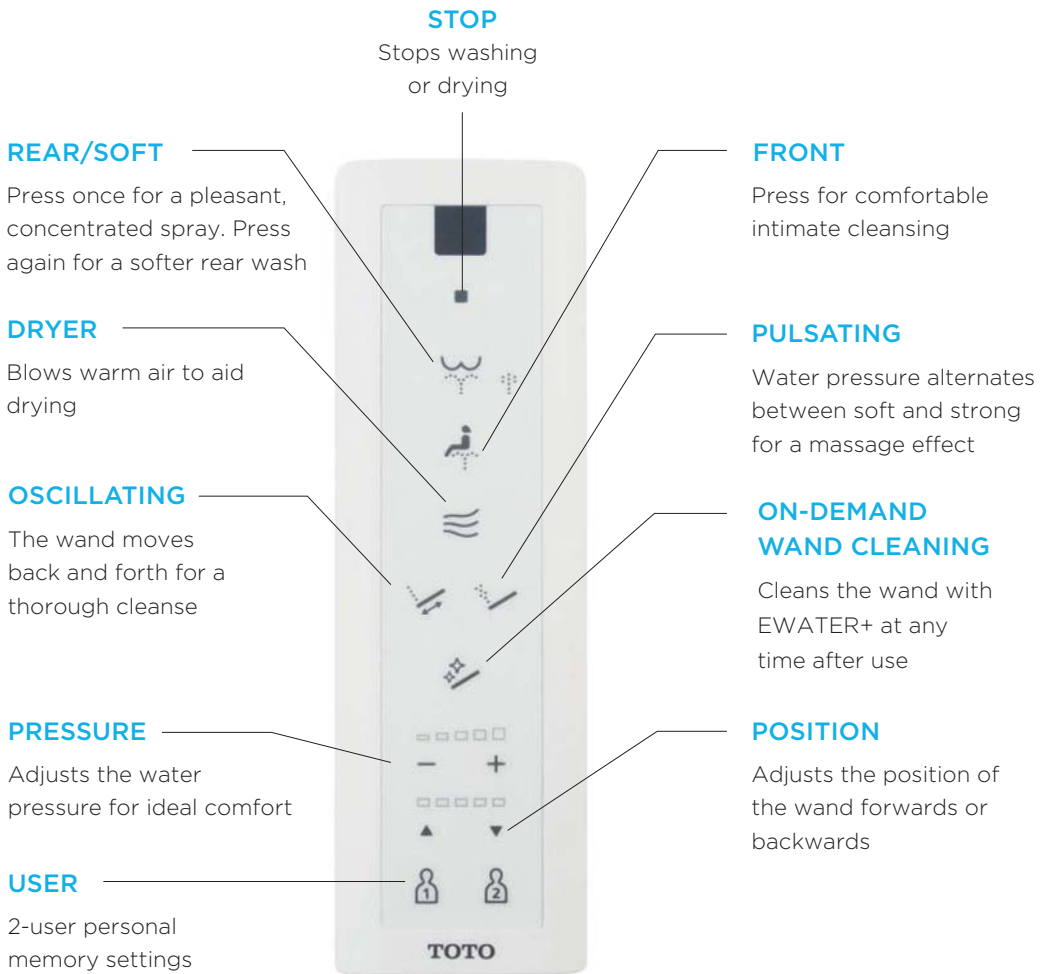
*S350e only*

\*FRONT WIDE ON/OFF function only available on S350e/S300e

## HOW THE REMOTE CONTROL WORKS

Easy and Convenient to Use.

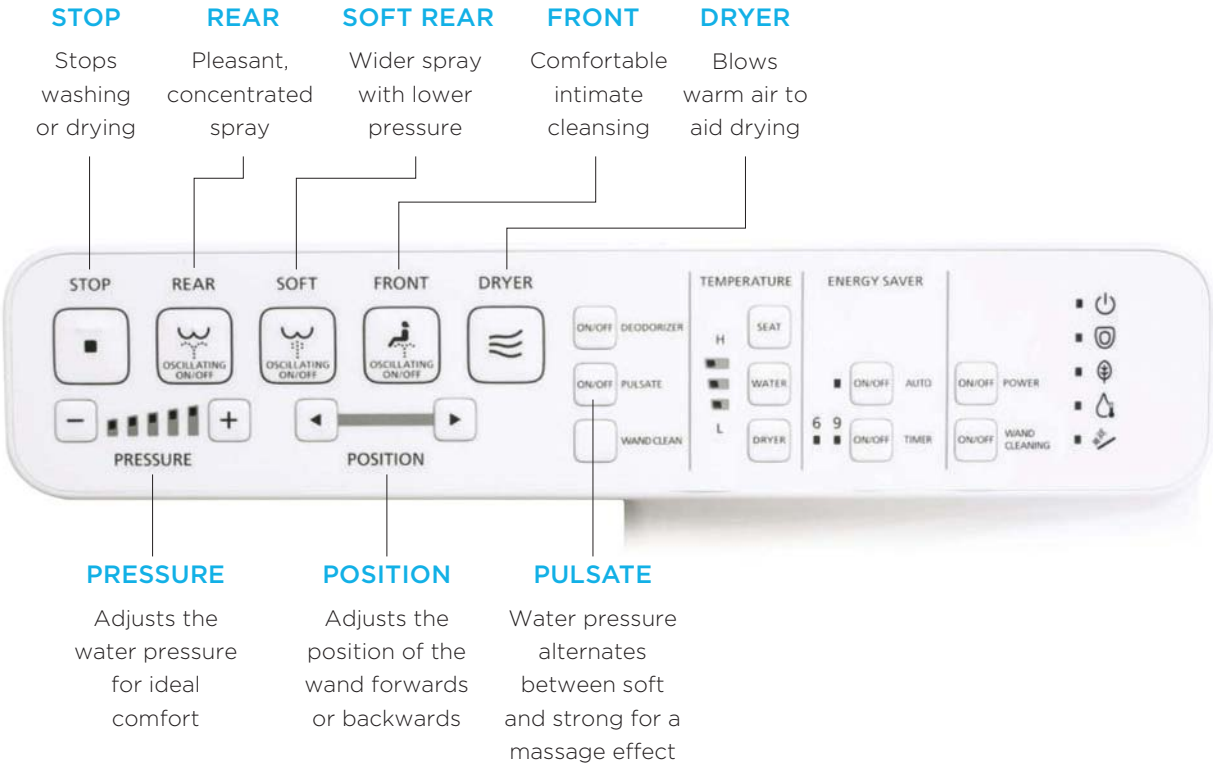
### WASHLET® C5 model



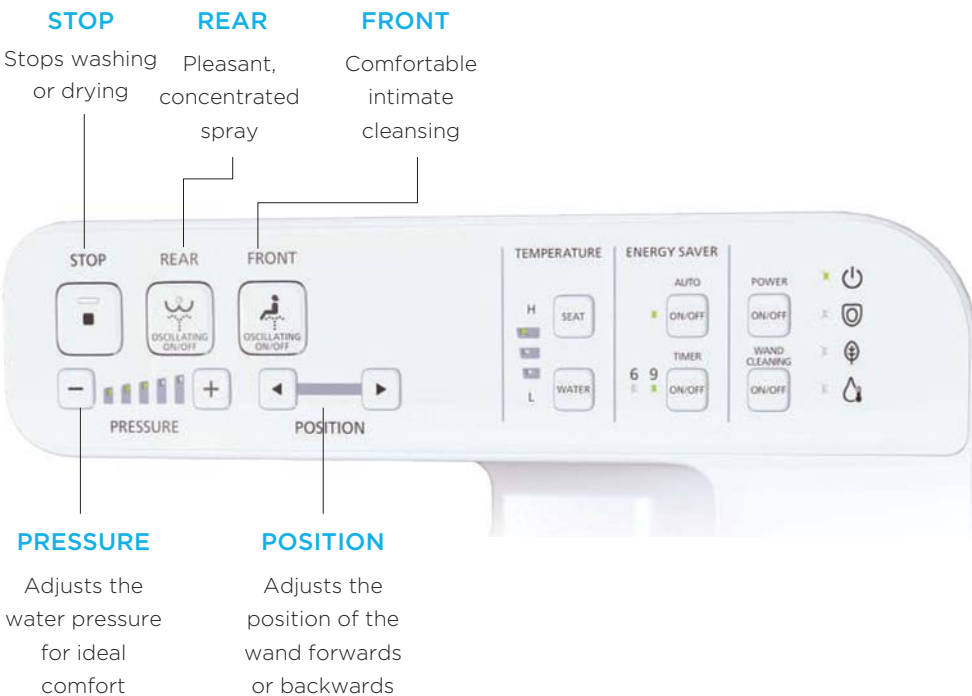
Back side of remote contains temperature controls



## WASHLET C2 model



## WASHLET A2 model



# TOTO : WASHLET

TECHNOLOGIES



## AUTOMATED CLEANLINESS AND COMFORT

WASHLET® is complete with functions designed for both comfort and hygiene, turning a mundane trip to the bathroom into a hygienic, spa-like experience.





## AUTO OPEN / CLOSE LID



SCAN CODE  
PLAY VIDEO

Eliminating the need to touch the toilet surfaces, the lid automatically opens and closes when the toilet is approached and departed.

*\*S550e and S350e only*



## NIGHT LIGHT



SCAN CODE  
PLAY VIDEO

Subdued lighting switches on when the toilet is approached, so users do not have to disturb themselves at night with a bright bathroom light.





## EWATER+<sup>®</sup> FOR WAND



SCAN CODE  
PLAY VIDEO

The wand washes itself inside and out with EWATER+  
to maintain hygienic conditions.



## EWATER+ FOR BOWL



SCAN CODE  
PLAY VIDEO

Prevents the accumulation of waste on bowl.  
EWATER+ reduces waste and dirt you can't see.



PREMIST®



SCAN CODE  
PLAY VIDEO

Using the incoming water supply, PREMIST wets the surface of the toilet bowl, aiding in the removal of waste and resulting in a better clean.

*\*Not available on A100*



DEODORIZER



SCAN CODE  
PLAY VIDEO

Highly effective deodorizing automatically takes place inside the toilet bowl both during and immediately after use, leaving no disturbing odors.

*\*Not available on A100*



## HEATED SEAT



SCAN CODE  
PLAY VIDEO

The moment you approach the toilet, the seat begins rapidly warming to a comfortable temperature.







## WARM AIR DRYING



SCAN CODE  
PLAY VIDEO









Enjoy the ease and comfort of drying with the temperature-adjustable warm-air dryer.

# WASHLET® COMPARISON CHART

		NEW			
		G450	G400	S550e	S500e
		MS922CUMFG (elongated)	MS920CEMFG (elongated)	SW3056 (elongated) SW3054 (elongated classic)	SW3046 (elongated) SW3044 (elongated classic)
					
COLOR	COTTON (#01)	#01	#01, #12	#01, #12	#01, #12
CLEANSE	REAR CLEANSE	●	●	●	●
	SOFT REAR CLEANSE	●	●	●	●
	FRONT CLEANSE	●	●	●	●
	WIDE FRONT CLEANSE	—	—	●	●
	OSCILLATING CLEANSE	●	●	●	●
	PULSATING CLEANSE	—	●	●	●
	INSTANTANEOUS WATER HEATING	●	—	●	●
	WATER PRESSURE CONTROL	5 SETTINGS	5 SETTINGS	5 SETTINGS	5 SETTINGS
	WATER TEMPERATURE CONTROL	3 SETTINGS	5 SETTINGS	5 SETTINGS	5 SETTINGS
	WAND POSITION ADJUSTMENT	●	●	●	●
AIR	AIR PURIFIER (DEODORIZER)	●	●	●	●
	AIR DRYER	●	●	●	●
	AIR TEMPERATURE CONTROL	3 SETTINGS	5 SETTINGS	5 SETTINGS	5 SETTINGS
SEAT	HEATED SEAT	●	●	●	●
	TEMPERATURE CONTROL	3 SETTINGS	5 SETTINGS	5 SETTINGS	5 SETTINGS
	SoftClose SEAT AND LID	●	●	●	●
SENSOR	SEAT SENSOR	●	●	●	●
	AUTO OPEN / CLOSE LID	●	●	●	—
	AUTO FLUSH	●	●	—	—
	NIGHT LIGHT	—	—	●	—
REMOTE CONTROL	REMOTE CONTROL	●	●	●	●
	REMOTE CONTROLLED SEAT	●	●	●	—
	REMOTE CONTROLLED FLUSH	●	●	—	—
HYGIENE	REMOVABLE LID	●	●	●	●
	PREMIST*	●	●	●	●
	EWATER+* FOR BOWL	—	—	●	●
	EWATER+* FOR WAND	—	—	●	●
	WAND CLEANING MODE	●	●	●	●
	SELF-CLEANING WAND	●	●	●	●
	CLEAN RESIN FOR WAND AND SEAT	●	●*	●	●
ENERGY SAVING	ENERGY-SAVER TIMER	3, 6, 9 HOURS	3, 6, 9 HOURS	3, 6, 9 HOURS	3, 6, 9 HOURS
	AUTO ENERGY SAVER	●	●	●	●



\*WASHLET+ is a seat and toilet system designed to conceal the supply connections. Please refer to the WASHLET+ Brochure for more details.

		NEW		NEW			NEW
S350e	S300e	C5	C200	C2	C100	A100	A2
SW583 (round)	SW573 (round)	SW3084 (elongated) SW3083 (round)	◆ SW2043R (round)	SW3074 (elongated) SW3073 (round)	◆ SW2033R (round)	◆ SW2014 (elongated)	SW3004 (elongated)
							
#01, #12	#01, #12	** #01, #12	#01, #12	** #01, #12	#01, #12	#01	#01
●	●	●	●	●	●	●	●
●	●	●	●	●	●	●	●
●	●	●	●	●	●	●	●
●	●	—	—	—	—	—	—
●	●	●	●	●	●	●	●
●	●	●	●	●	—	—	—
●	●	—	—	—	—	—	—
5 SETTINGS	5 SETTINGS	5 SETTINGS	5 SETTINGS	5 SETTINGS	5 SETTINGS	5 SETTINGS	5 SETTINGS
5 SETTINGS	5 SETTINGS	3 SETTINGS	5 SETTINGS	3 SETTINGS	3 SETTINGS	3 SETTINGS	3 SETTINGS
●	●	●	●	●	●	●	●
●	●	●	●	●	●	—	—
●	●	●	●	●	●	—	—
5 SETTINGS	5 SETTINGS	3 SETTINGS	5 SETTINGS	3 SETTINGS	3 SETTINGS	3 SETTINGS	3 SETTINGS
●	●	●	●	●	●	●	●
5 SETTINGS	5 SETTINGS	3 SETTINGS	5 SETTINGS	3 SETTINGS	3 SETTINGS	3 SETTINGS	3 SETTINGS
●	●	●	●	●	●	●	●
●	●	●	●	●	●	●	●
●	—	—	—	—	—	—	—
—	—	—	—	—	—	—	—
●	—	—	—	—	—	—	—
●	●	●	●	SIDE PANEL	SIDE PANEL	SIDE PANEL	SIDE PANEL
●	—	—	—	—	—	—	—
—	—	—	—	—	—	—	—
●	●	●	●	●	●	●	●
●	●	●	●	●	●	—	—
●	●	—	—	—	—	—	—
●	●	●	—	●	—	—	—
●	●	●	●	●	●	●	●
●	●	●	●	●	●	●	●
●*	●*	●	●*	●	●*	●*	●
3, 6, 9 HOURS	3, 6, 9 HOURS	6, 9 HOURS	—	6, 9 HOURS	—	—	—
●	●	●	●	●	●	●	●

◆ Limited inventory

\*Clean Resin only for wand, not seat

\*\*Round WASHLET model is Cotton #01 only





WASHLET® G450 INTEGRATED SMART TOILET;  
MS922CUMFG



**NEW**

**WASHLET G450**  
**INTEGRATED SMART TOILET**

MS922CUMFG



- TORNADO FLUSH® system
- High-efficiency dual flush 1.0 & 0.8 GPF (3.8 & 3.0 LPF)
- CEFIONTECT® ceramic glaze
- Sleek, full skirted one-piece
- Elongated front bowl
- 12" rough-in
- Mounting and connection hardware included
- UNIVERSAL HEIGHT & ADA compliant
- PREMIST® of bowl before each use
- WASHLET® cleansing with 5 water pressure settings
- Front and rear cleanse
- Adjustable water and seat temperatures
- Oscillating spray option
- Warm-air dryer
- Built-in air deodorizing system
- Auto open/close lid with hands-free automatic flush
- Meets Watersense® efficiency and performance standards

**WASHLET G400**  
**INTEGRATED SMART TOILET**

MS920CEMFG



- 3D TORNADO FLUSH® system
- High-efficiency dual flush 1.28 & 0.9 GPF (4.8 & 3.4 LPF)
- CEFIONTECT® ceramic glaze
- Sleek, full skirted one-piece
- Elongated front bowl
- 12" rough-in
- Mounting and connection hardware included
- UNIVERSAL HEIGHT & ADA compliant
- PREMIST® of bowl before each use
- WASHLET® cleansing with 5 water pressure settings
- Front and rear cleanse
- Adjustable water and seat temperatures
- Oscillating spray option
- Warm-air dryer
- Built-in air deodorizing system
- Auto open/close lid with hands-free automatic flush
- Meets Watersense® efficiency and performance standards



NEXUS® WASHLET®+ S550e ONE-PIECE TOILET;  
MW6423056CUFGA



## WASHLET S550e/S500e CONTEMPORARY

SW3056 (Elongated)  
SW3046 (Elongated)



reddot award 2020  
winner



- High-tech electronic bidet seat
- Elongated front WASHLET toilet seat with cover
- EWATER+® on wand and bowl
- AIR-IN WONDER-WAVE® technology is the precise, pleasant, air rich stream that keeps you clean
- PREMIST® of bowl before each use
- Auto open/close lid (*Only WASHLET S550e*)
- Remote control operated
- Front and rear warm water washing with adjustable temperature and pressure controls
- Heated seat with temperature control
- Automatic air deodorizer
- Warm air dryer
- Illuminated touch pad
- 2 user memory
- Night light (*Only WASHLET S550e*)
- SOFTCLOSE® Seat
- Quick release feature
- Mounting and connection hardware included

## WASHLET S550e/S500e CLASSIC

SW3054 (Elongated)  
SW3044 (Elongated)



- High-tech electronic bidet seat
- Elongated front WASHLET toilet seat with cover
- EWATER+ on wand and bowl
- AIR-IN WONDER-WAVE technology is the precise, pleasant, air rich stream that keeps you clean
- PREMIST of bowl before each use
- Auto open/close lid (*Only WASHLET S550e*)
- Remote control operated
- Front and rear warm water washing with adjustable temperature and pressure controls
- Heated seat with temperature control
- Automatic air deodorizer
- Warm air dryer
- Illuminated touch pad
- 2 user memory
- Night light (*Only WASHLET S550e*)
- SOFTCLOSE Seat
- Quick release feature
- Mounting and connection hardware included

### AVAILABLE COLORS

#01  
Cotton

#12  
Sedona Beige



ULTRAMAX® II ONE-PIECE TOILET  
WITH WASHLET® S350e

## WASHLET S350e

SW583 (Round)



- High-tech electronic bidet seat
- WASHLET® cleansing with 5 water pressure settings
- EWATER+® technology
- PREMIST® of bowl before each use
- Front and rear cleanse
- SOFTCLOSE® seat
- Adjustable water and seat temperatures
- Oscillating spray option
- Warm-air dryer
- Built-in air deodorizing system
- Instantaneous water heating
- 2 user memory
- Quick release feature
- Auto open/close lid
- Night light

## WASHLET S300e

SW573 (Round)



- High-tech electronic bidet seat
- WASHLET cleansing with 5 water pressure settings
- EWATER+ technology
- PREMIST of bowl before each use
- Front and rear cleanse
- SOFTCLOSE seat
- Adjustable water and seat temperatures
- Oscillating spray option
- Warm-air dryer
- Built-in air deodorizing system
- Instantaneous water heating
- 2 user memory
- Quick release feature

### AVAILABLE COLORS



#01  
Cotton



#12  
Sedona Beige

**NEW**

**WASHLET C5**

SW3084 (Elongated)  
SW3083 (Round)



- High-tech electronic bidet seat
- Gentle Aerated, Warm Water, Dual Action Spray with oscillating and pulsating features
- PREMIST® of bowl before each use
- Front and rear cleanse
- Adjustable water temperature and pressure
- Warm air drying with three variable temperature settings
- Built-in air deodorizer
- Wireless remote with touch pad
- Adjustable seat temperature
- EWATER+® cleans wand automatically

**WASHLET C200**

◆ SW2043R (Round)



- High-tech electronic bidet seat
- Gentle aerated, warm water, dual action spray with oscillating and pulsating features
- PREMIST® of bowl before each use
- Front and rear cleanse
- SOFTCLOSE® seat
- Adjustable water temperature and pressure
- Warm air drying with five variable temperature settings
- Built-in air deodorizer
- Wireless remote with touch pad
- 2 user settings
- Adjustable seat temperature

**NEW**

**WASHLET C2**

SW3074 (Elongated)  
SW3073 (Round)



- High-tech electronic bidet seat
- Gentle Aerated, Warm Water, Dual Action Spray with oscillating and pulsating features
- PREMIST of bowl before each use
- Front and rear cleanse
- Adjustable water temperature and pressure
- Warm air drying with three variable temperature settings
- Built-in air deodorizer
- Convenient arm control panel
- Adjustable seat temperature
- EWATER+ cleans wand automatically

**WASHLET C100**

◆ SW2033R (Round)



- High-tech electronic bidet seat
- Gentle aerated, warm water, dual action spray with oscillating features
- PREMIST of bowl before each use
- Front and rear cleanse
- SOFTCLOSE seat
- Adjustable water temperature and pressure
- Warm air drying with three variable temperature settings
- Built-in air deodorizer
- Adjustable seat temperature

**AVAILABLE COLORS**



#01

Cotton



#12

Sedona Beige

(Not available for C5/C2 Round)



**NEW****WASHLET A2**

SW3004 (Elongated)



- Electronic bidet seat
- WASHLET cleansing with 5 water pressure settings
- Gentle aerated, warm water, dual action spray with oscillating features
- Front and rear cleanse
- SOFTCLOSE Seat
- Adjustable water temperature and pressure
- Adjustable seat temperature
- Available only in #01 Cotton

**WASHLET A100**

◆ SW2014 (Elongated)



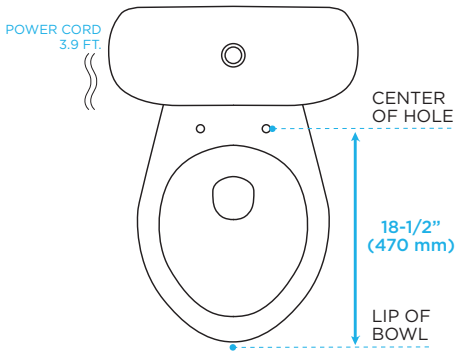
- Electronic bidet seat
- Gentle aerated, warm water, dual action spray with oscillating features
- Front and rear cleanse
- SOFTCLOSE seat
- Adjustable water temperature and pressure
- Adjustable seat temperature
- Available only in #01 Cotton

## WASHLET® INSTALLATION REQUIREMENTS

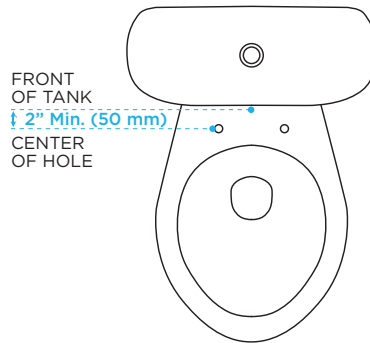
When your existing toilet is in need of an upgrade.

The following four-part diagram details the approximate measurements and requirements for installing most WASHLET models on existing toilets. Note that some styles of toilets may not allow the WASHLET to fit properly due to certain contours where the tank meets the bowl.

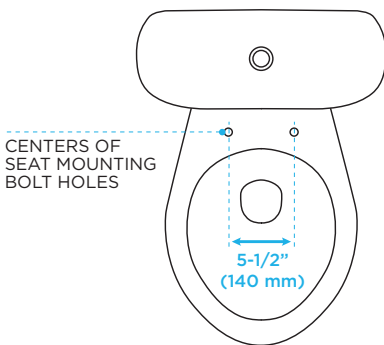
### ELONGATED FRONT WASHLET



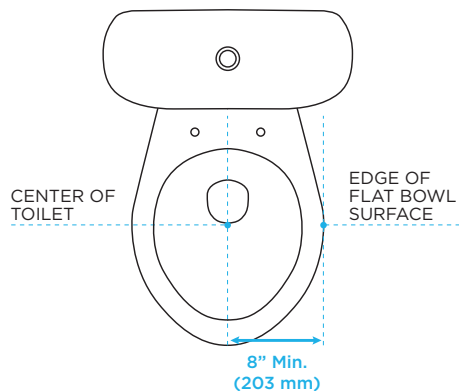
1. Elongated seats approximately 18-1/2 inches (470 mm) from mounting holes to front of bowl.



2. Minimum of 2 inches (50 mm) from front face of tank to the center of mounting holes.

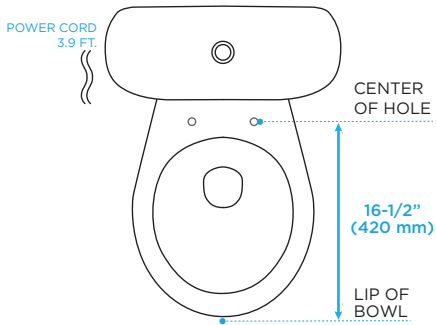


3. Approximately 5-1/2 inches (140 mm) from the centers of the seat mounting holes.

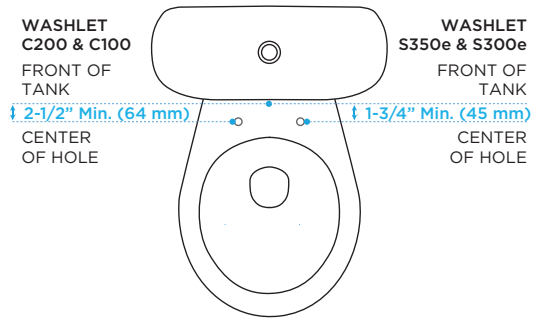


4. Minimum of 8 inches (203 mm) of open space from center of toilet to edge of flat bowl surface.

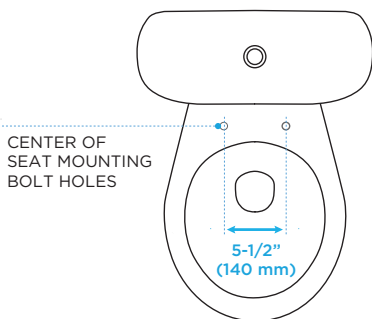
## ROUND FRONT WASHLET



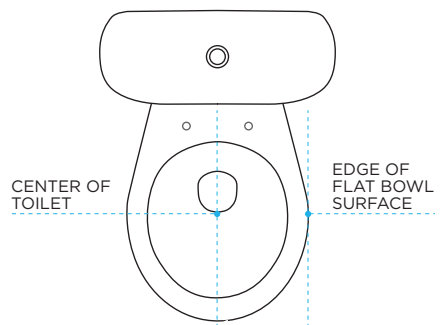
1. Round seats approximately 16-1/2 inches (420 mm) from mounting holes to front of bowl.



2. Minimum requirement for front face of tank to the center of mounting holes:  
C100 & C200: 2-1/2 inches (64 mm)  
S350e & S300e: 1-3/4 inches (45 mm)



3. Approximately 5-1/2 inches (140 mm) from the centers of the seat mounting holes.







# Let's Wash with **TOTO** : WASHLET

**SCAN CODE NOW**  
FOR DIGITAL WASHLET® BROCHURE



[CATALOG.TOTOUSA.COM](http://CATALOG.TOTOUSA.COM)

**TOTO USA, INC.**  
1155 SOUTHERN ROAD  
MORROW, GA 30260  
800-350-8686

[www.washlet.com](http://www.washlet.com)  
[www.totousa.com](http://www.totousa.com)

#KO-072022-WB  
Printed in the U.S.A. 07/22

WASHLET and "WASHLET logo" are registered trademarks of TOTO LTD.